

SW2930 Portable Lifting Lamp



Type A :Metal Halide Lamp (Flood)



Type B:LED Light (Flood)



Type C:LED Light (Flood + Cast Light)

■ Features

- It is suitable for large-scale lighting on the scene of various large-scale rescue, emergency repair and construction. It is very suitable for single person to carry, unfold and raise.

■ Technical Parameters

No	Table Of Basic Product Parameters			
1	Product Model	Metal Halide Lamp (Flood)	LED Light (Flood)	LED Light (Flood + Cast Light)
2	Light Source	Halogen Lamp	LED	LED
3	Lamp Power	2×150W	2×50W	2×80W
4	Rated Voltage	220/230V , 50Hz	220/230V , 50Hz	220/230V , 50Hz
5	Luminous Flux	2×13000lm	2×6000lm	2×9600lm
6	Average Lamp Life	12000h	100000h	100000h
7	Protection Rating	IP65		
8	Anti-corrosion Rating	WF2		
9	Lifting Rod Assembly	Φ160 × 1045 (Collapsed) / 2545 (Extended)		
10	Tripod Components	Φ190 × 735 (Collapse)/ Φ1480 (Open)		
11	Dimension (mm)	570×280×140	630×320×140	612×340×140
12	Weight	6.4kg	8.4kg	7.8kg

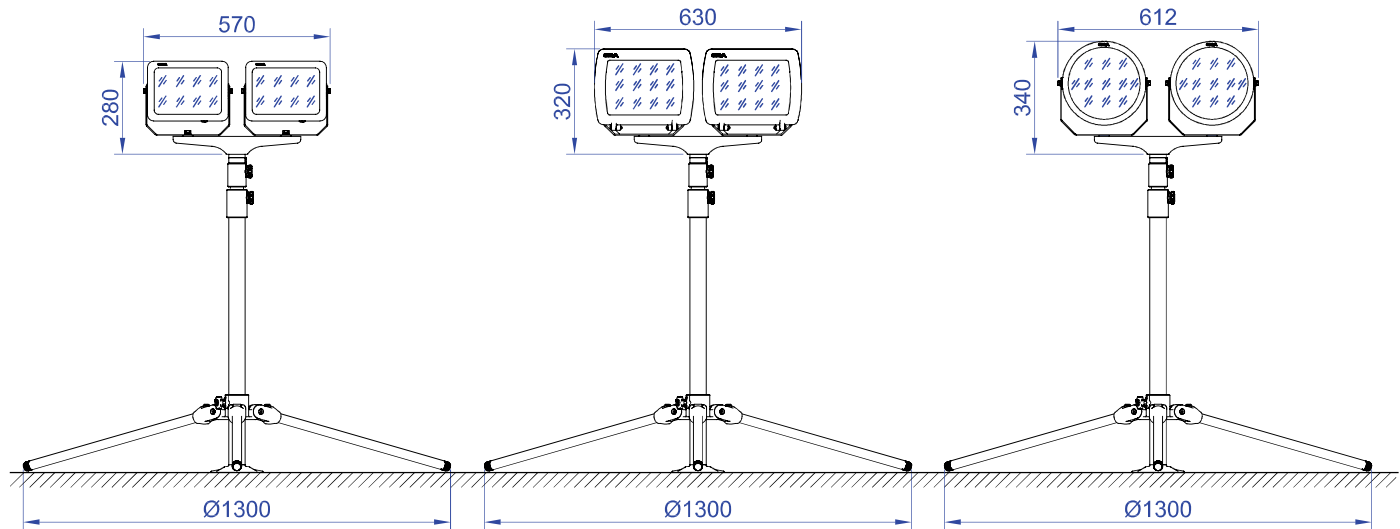
KIPOR Digital Generator <small>(Optional Accessory)</small>	IG770	Rated Output Power	700W
		Fuel Tank Capacity	1.55L
		Continuous Working Time	3h
	IG1000	Rated Output Power	900W
		Fuel Tank Capacity	2.6L
		Continuous Working Time	5h

Warnings:

The amount of refueling oil must be strictly in accordance with the original manufacturer's instructions. Too little oil: it may not be pulled or easily self-extinguished, and it may even seriously damage the engine. Too much oil: it will increase the additional load of the engine.

SW2930 All-around Auto Pulley Working Light

Dimension (Unit:mm)

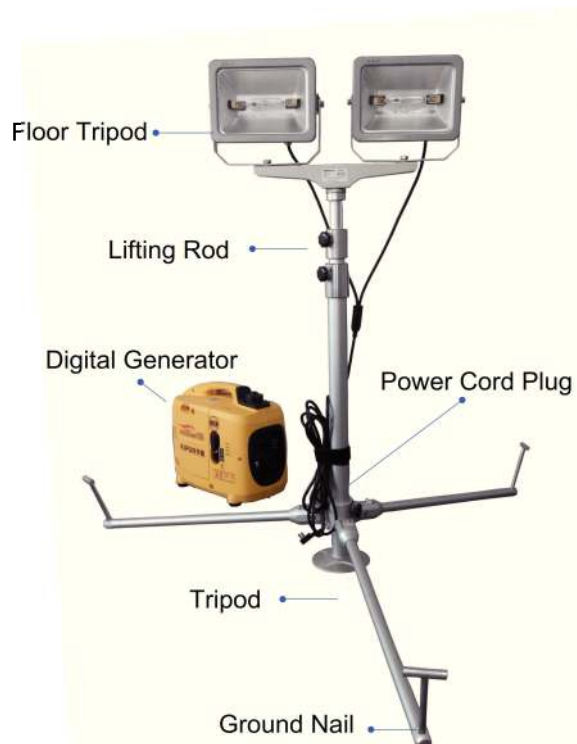


Type A :Metal Halide Lamp (Flood)

Type B:LED Light (Flood)

Type C:LED Light (Flood + Cast Light)

Characteristics



Fully Adjustable Lamp Base

According to the needs of the site work, two lamp heads can be adjusted at any angle of 360 degrees horizontally and 180 degrees up and down to meet the requirements of different irradiation angles and orientations. The light coverage radius is 30-50 meters.



Ground Nail + Triangle Bracket

The grounding nail is used in conjunction with the triangular bracket to make the lamp more stable during use and avoid collision damage due to shaking.



Telescopic Structure

It can be flexibly adjusted manually according to the actual use, the structure is hollow material, easy to carry