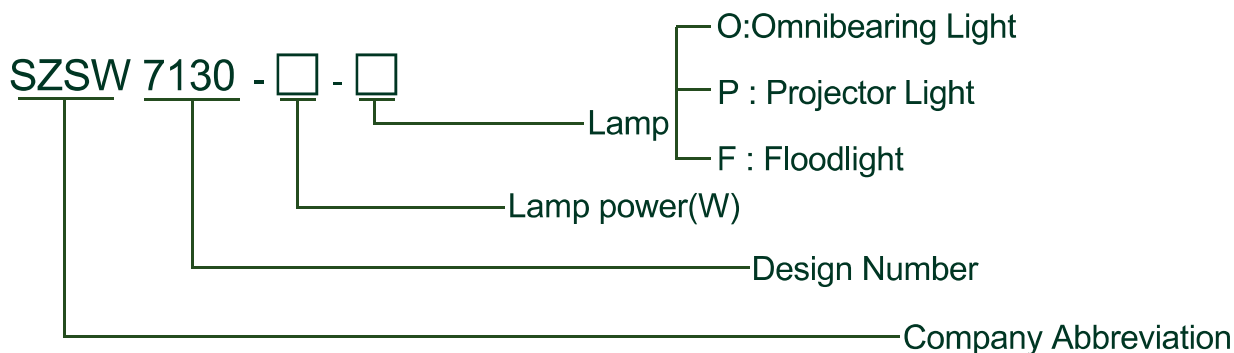




Floodlight/Projectoe Light/Omnibearing Light

■ Application: Suitable for floodlight or projection lighting in workshop, working platform, passageway, warehouse, equipment area, operation area, etc. (recommended installation height: 5 ~ 8 meters).

■ Product Model and Meaning



■ Selection Table

Model	Power	Beam Angle	Weight	Luminous Flux
SZSW7130-30	30W	10° 100° 180°	3.5kg	3000lm
SZSW7130-40	40W			4000lm
SZSW7130-50	50W			5000lm
SZSW7130-60	60W			6000lm
SZSW7130-70	70W			7000lm
SZSW7130-80	80W			8000lm
SZSW7130-90	90W			9000lm
SZSW7130-100	100W			10000lm

■ Technical Parameters

NO	Parameter		Unit	Value					
1	Rated Voltage		V (AC)	AC180~260V DC220~370V					
2	Rated Frequency		Hz	50,60					
3	Rated Current	30W	40W	50W	60W	70W	80W	90W	100W
		0.18A	0.2A	0.25A	0.3A	0.38A	0.45A	0.5A	0.6A
4	Input Current	30W	40W	50W	60W	70W	80W	90W	100W
		0.12A	0.18A	0.23A	0.25A	0.28A	0.32A	0.37A	0.45A
5	PF		0.9						
6	CRI		80						
7	Enclosure		Copper-free aluminium , powder coated surface						
8	Glass cover		Thughened glass , stands 4J impact,PC						
9	LED driver	Wide voltage input,CC-CV(constant current-constant voltage) output,power factor≥0.95,with function of distributed current,constant current,surge-proof and anti-electromagnetic interference,and protection against overcurrent,open circuit, and short circuit.							
10	Exposed fastener		Stainless steel(SUS 304)						
11	Executive Standard	IEC 60598-1:2015			EN 60598-1:2015				
		IEC 60598-2-1:1989			EN 60598-2-1:1989				
		IEC 62471:2008			EN 62471:2008				
12	Service Life		h	100000					
13	Beam Angle		°	10、 100、 180					
14	Dimensions	mm	Omnibearing	Φ256×222x287mm					
			Floodlight	Φ256×80x287mm					
15	Weight		kg	3.5					
16	Cable Entries		mm	M20X1.5 cable gland					
17	Terminal		mm	Φ8~10,3X1.5~2.5mm ² (L+N+PE)					
18	Color Temperature		Normal color temperature 5700K, if you need other color temperature can be selected						
19	Insulation Class		I						
20	Ingress Protection		IP66						
21	Ambient Temperature		-40℃ ~ +50℃						

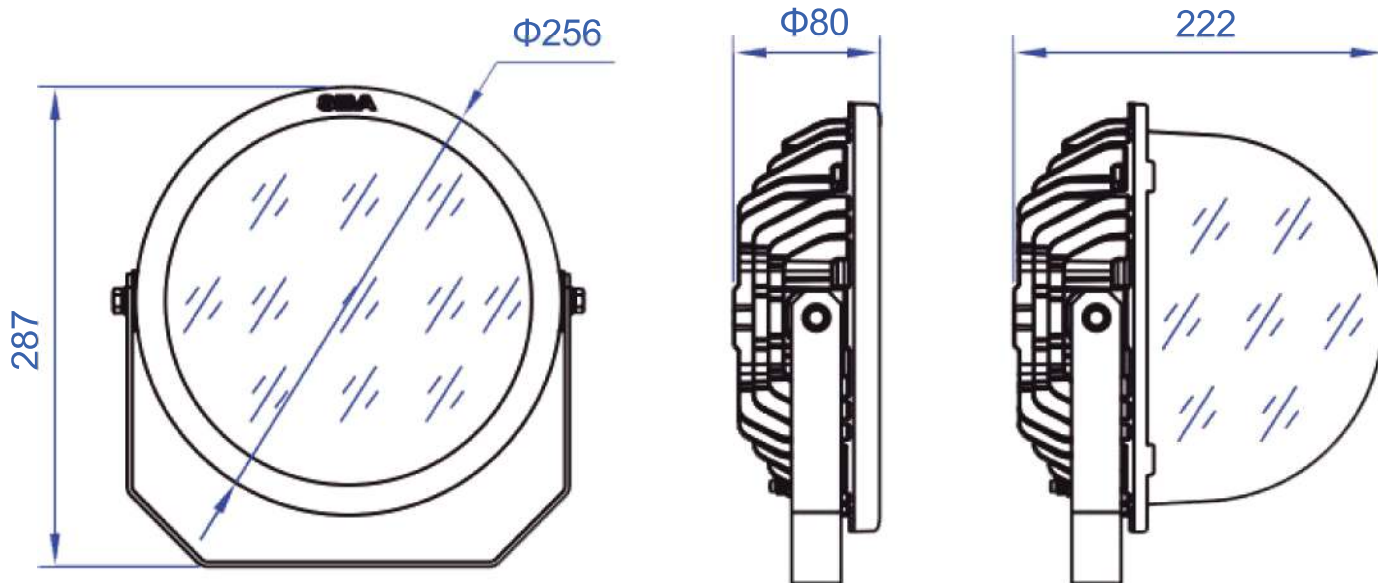
■ Features and Benefits

- Shell design: aluminum alloy casting shell, strong, strong, high impact strength, long service life. Reliable heat dissipation: This product adopts the newly developed high-heat-conducting aluminum alloy material in the United States, with the same heat dissipation area.
- Compared with the traditional die-casting aluminum alloy, the heat dissipation effect is increased by more than 20%, and the overall temperature of the lamp is more than 5℃ lower when working, effectively extending the life of the lamp.
- External waterproof power supply: The lamp adopts external waterproof power supply, the heating element inside the power supply is close to the aluminum alloy shell, and the external connection directly carries on the heat exchange with the outside cold air, effectively extending the service life of the power supply. Quick detachable waterproof connector is used in the power supply, making it extremely convenient to replace the power supply.
- High light efficiency, imported LED: (Cree or osram brand), life of more than 100,000 hours.
- Variety of installation methods: Compact structure, small volume, light weight, can be used for side wall, elbow, hanging pipe, seat and other installation methods.

■ Product details

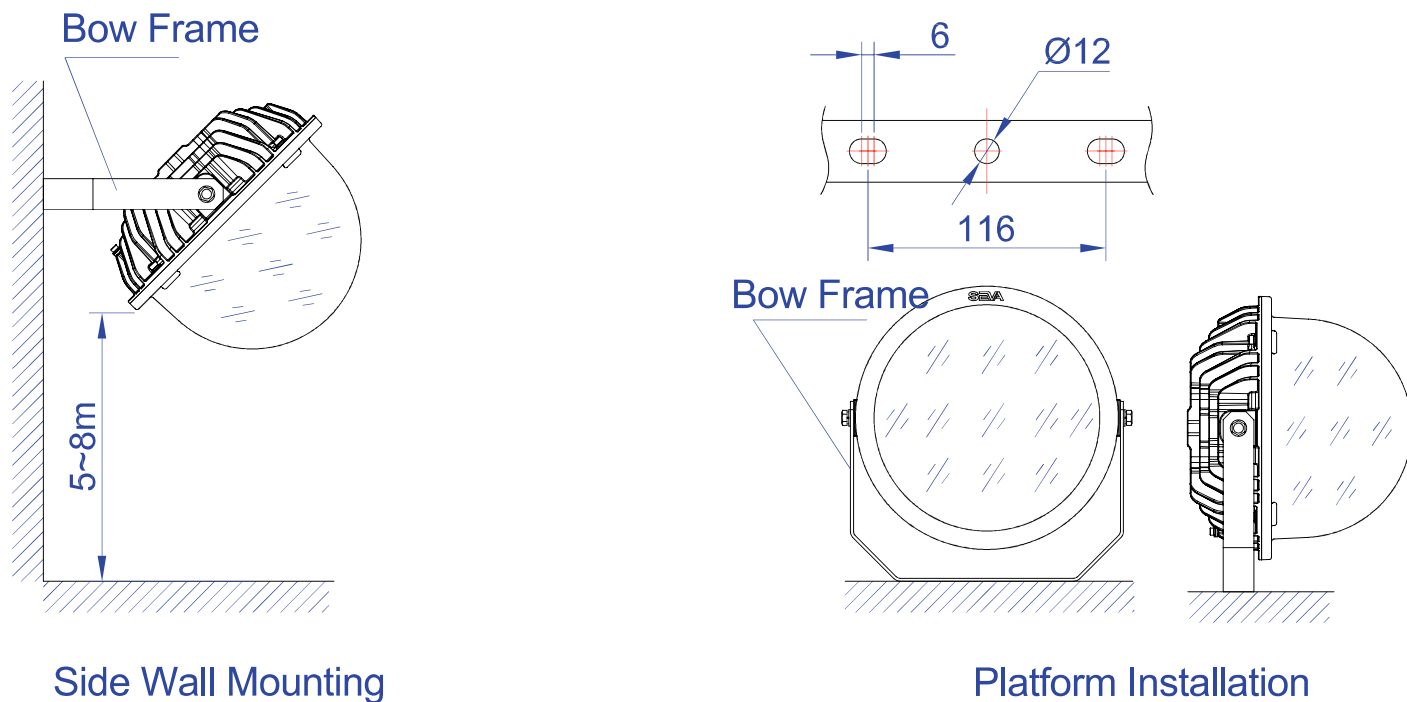


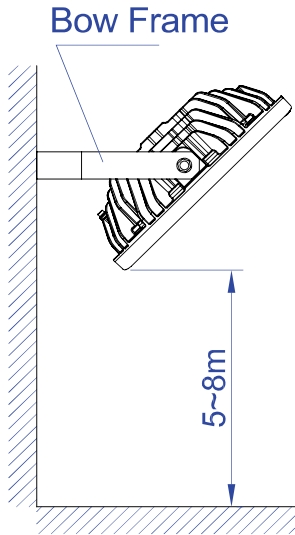
■ Dimensions (Unit:mm)



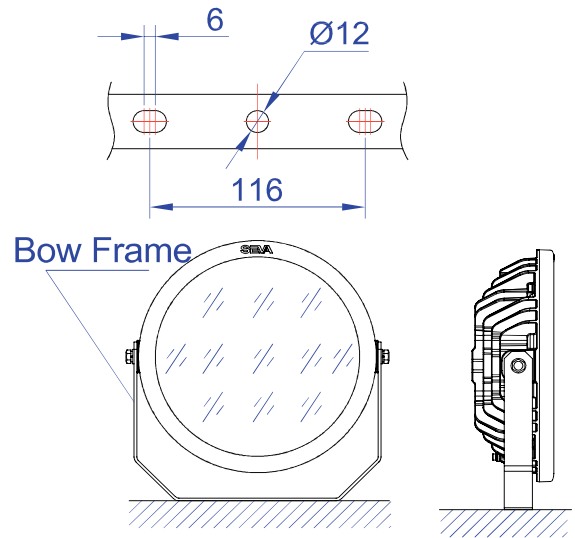
Floodlight/Projectoe Light/Omnibearing Lightt

■ Installation (Unit:mm)

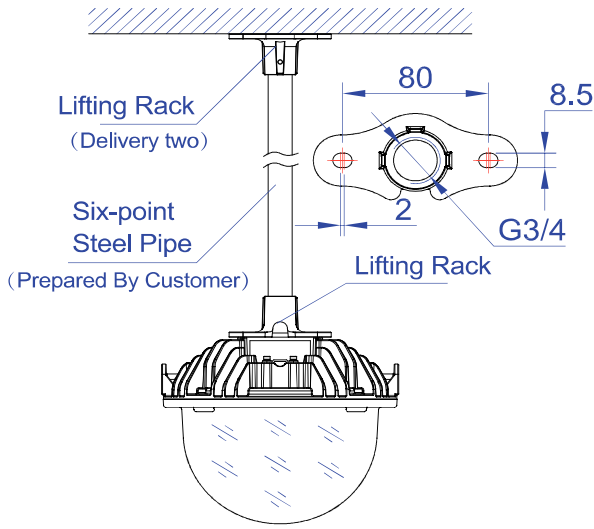




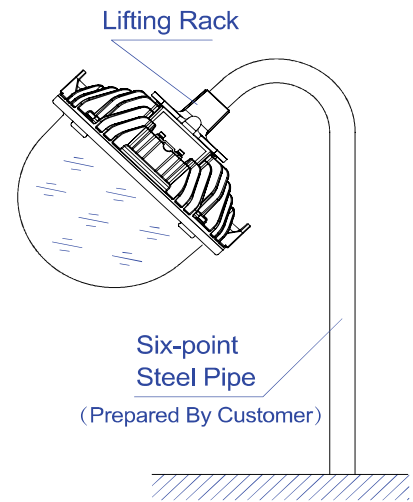
Side Wall Mounting



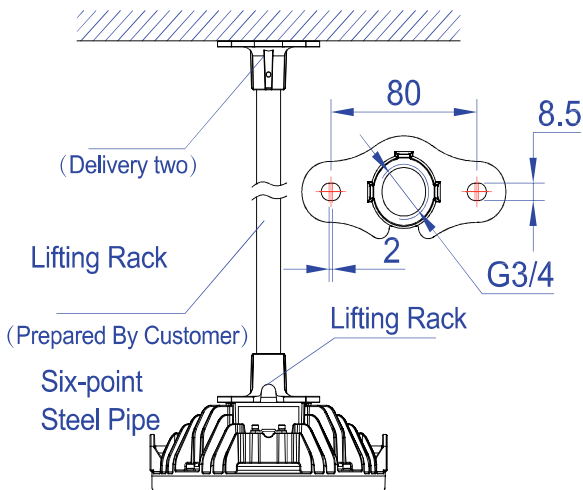
Platform Installation



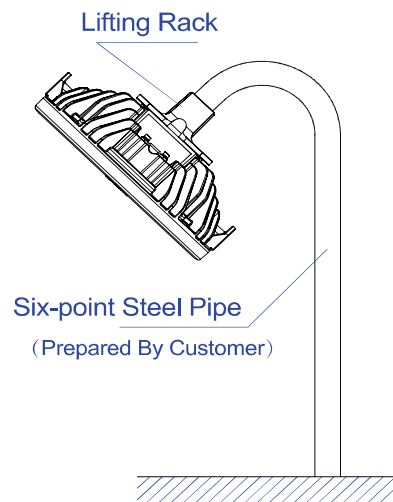
Pipe Installation



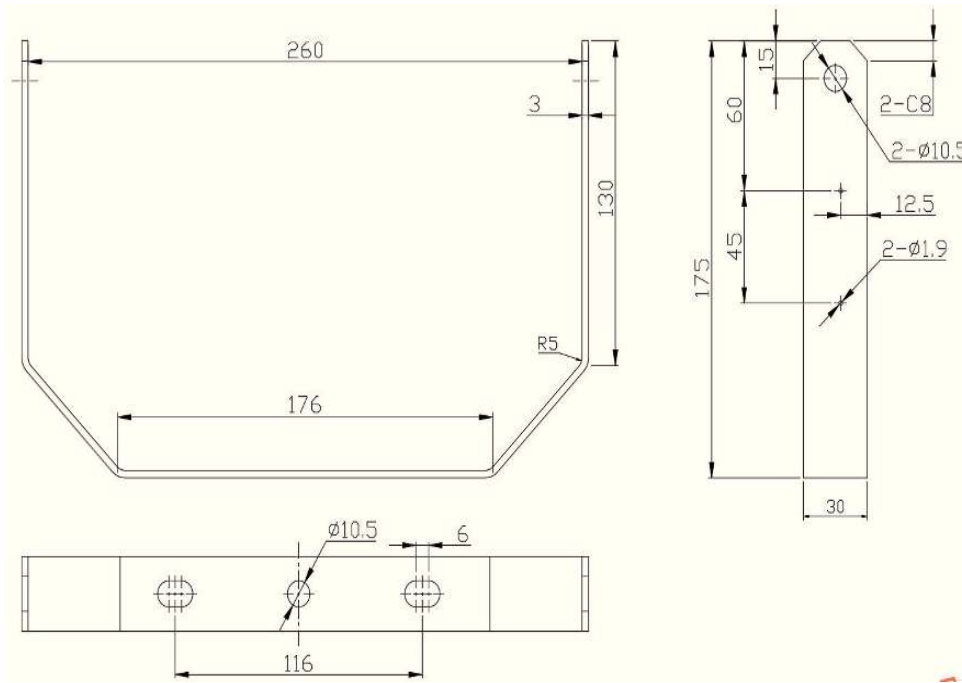
Elbow Installation



Pipe Installation





Elbow Installation

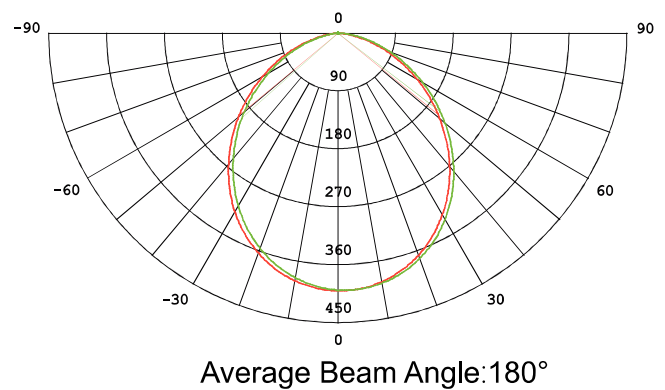
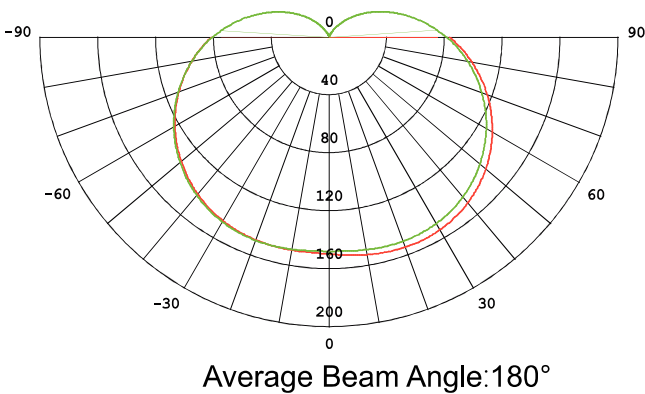


U-Bracket

Optional Part(Unit:mm)

NO.	Installation accessorise	Picture	Material	Weight (Unit:kg)	QTY	Remarks
1	Explosion-proof LED Light Fixture		Aluminum alloy	--	1	
2	Mounting brackets		Q235	0.5	1	

Light Distribution Curve



Failure phenomenon

1, The lamp does not work.

Treatment method:

① Check the wiring diagram, whether the wiring is wrong, if, according to the wiring diagram again correct wiring.

② Check whether the wire terminal is loose, if, re-connect tight.

2, The lamp water.

Treatment method: ①the light source cavity or electrical box screw is not tightened not tightened, if, re-tighten.

②Confirm whether the sealing ring is off or not installed when the lamp is installed. If so, re-install the sealing ring or contact our local service personnel.

③The reason may be that the tightening screw at the inlet line is not tightened, if so, re-tighten the tightening screw.

3. Frequently burn out the drive power.

Treatment method: ①the line working voltage is not stable, often more than 290VAC or lower than 90VAC, if, please improve the voltage environment or contact our local service personnel, choose suitable voltage range of driving power.

②The environment temperature is too high, coupled with the temperature rise of the lamp itself, greatly reduce the service life of the power supply, if, improve ventilation and cooling.

4, circuit trip or leakage.

① Please check whether the lead wire of the lamp has no grounding wire, if so, the lead wire will be connected to the ground wire of the lamp power supply.

② Wiring generated fly wire, creepage distance or electrical clearance is not enough, if, re-connect the line.

5. LED flashes

①Please check whether the voltage is not in the use range, if so, the voltage back to the normal range.

② Drive power failure, if, please contact our local service personnel.

■ Service

Caution

1.To avoid electric shock:

- ① Be certain electrical power is OFF before and during installation and maintenance.
- ② Luminaire must be supplied by a wiring system with an equipment grounding conductor.

2.To avoid burning hands:

Make sure lens and housing are cool when performing maintenance.

3.To avoid explosion:

- ① Make sure the supply voltage is the same as the luminaire voltage.
- ② Do not install where the marked operating temperatures exceed the ignition temperature of the hazardous.

4.atmosphere:

- ① Do not operate in ambient temperatures above those indicated on the luminaire nameplate.
- ② Use proper supply wiring as specified on the luminaire nameplate. All gasket seals must be clean.
- ③ Before opening, electrical power to the luminaire must be turned off. Keep tightly closed when in operation.

5.Package Check

Check the carton and all the components according to the packing list. make sure the product is in good conditions.

6.Transportation:

Please keep this product from heavy mechanical shock, exposure to strong sunshine, throwing,rolling and stress during transport

7.Storage:

kept in dry,clean and well-ventilated ,non-corrosive medium warehouse,the ambient temperature should be -40°C to 55°C .

8.After-sales service

Installation and maintenance must be according to the instruction.

If customer can not deal with it by themselves ,please contact with sales department.

Contact

Shenzhen SEVA Lighting Co., Ltd

Factory add.: Seva industry park, dushi village, pingtan town, Huiyang District,Guangdong province, China

Web: www.szseva.com Tel: +86-752-3503602 Fax: +86-752-3503606