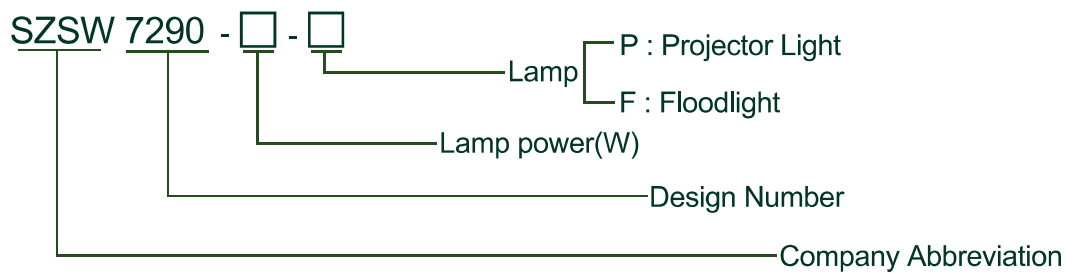




- It is suitable for floodlight illumination in workshop, passageway, warehouse, outfield equipment area and operation area.

Product Model and Meaning



Selection Table

Model	Wattage	LED Brand	Voltage	Luminous Flux	Dimensions	Weight
SZSW7290-100F	100W	Osram	100~240V AC	12000lm	262x382x137(mm)	5.3kg
SZSW7290-200F	200W			24000lm	400x382x137(mm)	7.2kg
SZSW7290-300F	300W			36000lm	535x382x137(mm)	10kg
SZSW7290-400F	400W			48000lm	678x382x137(mm)	13.5kg
SZSW7290-500F	500W			60000lm	814x382x137(mm)	15.5kg
SZSW7290-100P	100W	Osram	100~240V AC	12000lm	262x382x137(mm)	5.3kg
SZSW7290-200P	200W			24000lm	400x382x137(mm)	7.2kg
SZSW7290-300P	300W			36000lm	535x382x137(mm)	10kg
SZSW7290-400P	400W			48000lm	678x382x137(mm)	13.5kg
SZSW7290-500P	500W			60000lm	814x382x137(mm)	15.5kg

■ Technical Parameters

NO	Performance		SZSW7290			
1	LED	Light Distribution Type	Floodlight		Projector Light	
2	Input Power	Voltage	90V~240V(AC)			
		Power	50Hz/60Hz			
3	Rated Current	100W	200W	300W	400W	500W
		0.51A	1.01A	1.52A	2.02A	2.53A
4	Input Current	100W	200W	300W	400W	500W
		0.48A	0.96A	1.44A	1.91A	2.39A
5	PF		0.9			
6	CRI		80			
7	Enclosure		Copper-free aluminium , powder coated surface			
8	Glass Cover		Thughened glass , stands 4J impact			
9	LED Driver	Wide voltage input,CC-CV(constant current-constant voltage) output,power factor≥0.95,with function of distributed current,constant current,surge-proof and anti-electromagnetic interference,and protection against overcurrent,open circuit, and short circuit.				
10	Exposed fastener		Stainless steel(SUS 304)			
11	Executive Standard		IEC 60598-1:2015		EN 60598-1:2015	
			IEC 60598-2-5: 2015		EN 60598-2-5: 2015	
			IEC 62493:2015		EN 62493:2015	
12	Luminous Efficacy		120 lm/w			
13	Color Temperature		Standard: 5700K、 Optional: 4000K/3000K			
14	Ingress Protection		IP66			
15	Ambient Temperature		-40℃ ~ +50℃			
16	Optical Lens		120°, 40°, 15°			
17	Anti-corrosion Class		WF2			
18	Insulation Class		Class 1			

Test Equipment: megohmmeter, withstand voltage tester, platform scale, vernier caliper, thermometer.

Product details

LED Multiple modules
 The number of LED modules can be adjusted according to site requirements. Can choose 100W 200W 300W 400W 500W.




Separate wire cavities
 With independent waterproof connecting cavity, the lead wire can be directly connected into the lamp, avoid the connection outside the lamp, to ensure the safety and reliability of the wiring.




Separate wire cavities

Precise adjustment of Angle
 Can ensure that all kinds of extreme wind blowing, vibration environment, lamps and lanterns will not be stable deviation.

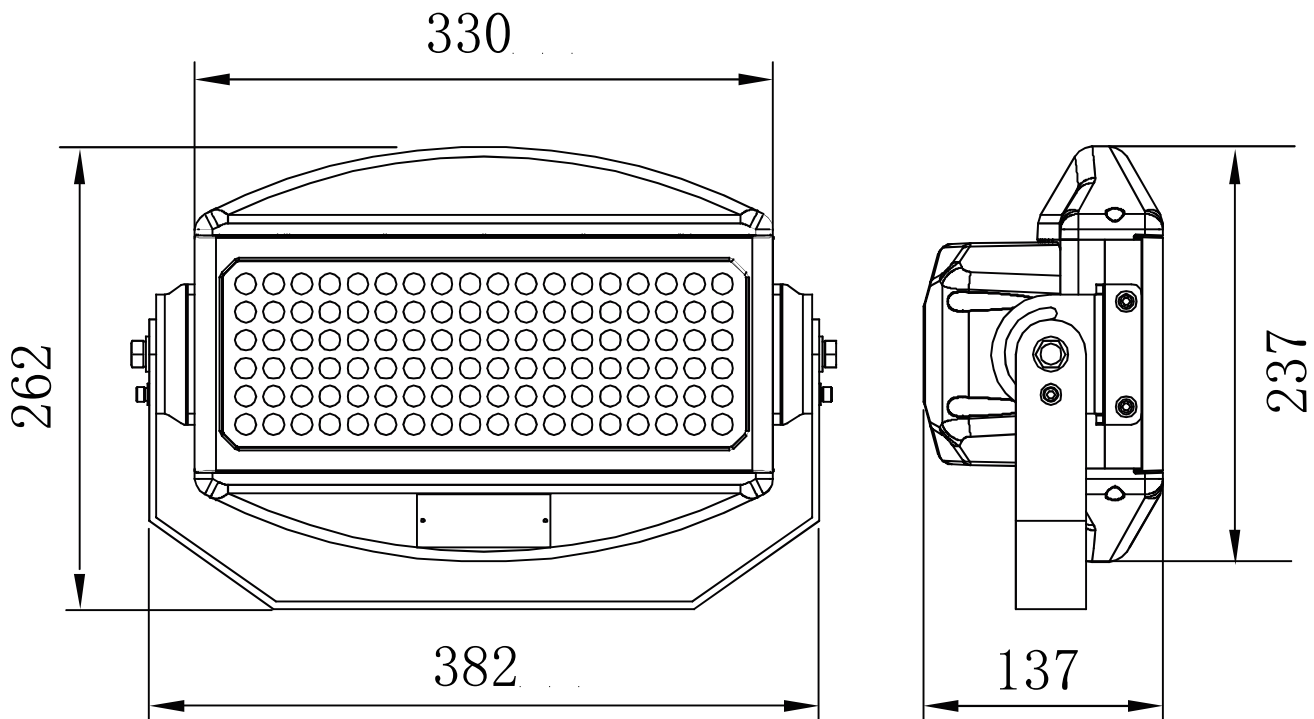


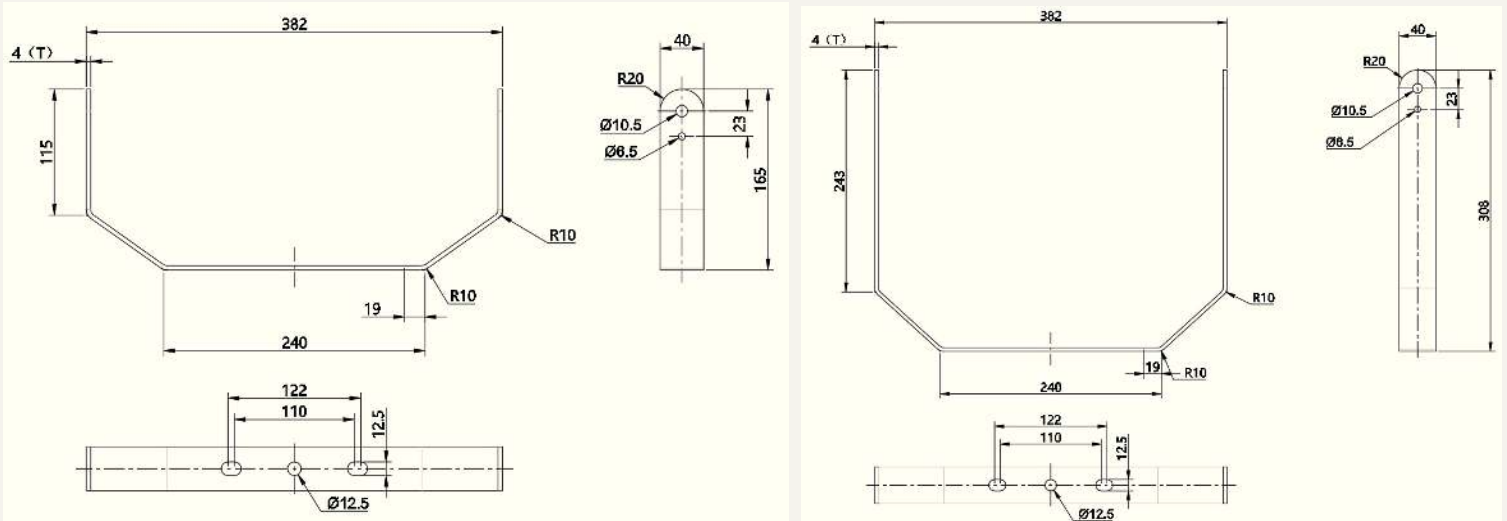
Angle setting screw
 Angle locking screw

Reliable Heat dissipation
 Adopt high quality aviation aluminum extrusion forming, adopt double layer heat dissipation structure with double layer heat dissipation to ensure heat dissipation effect and prolong LED service life.





Dimensions (Unit:mm)



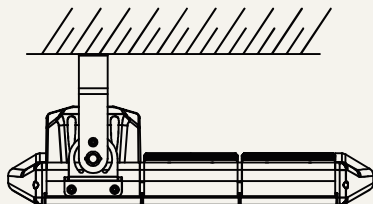


U-Bracket

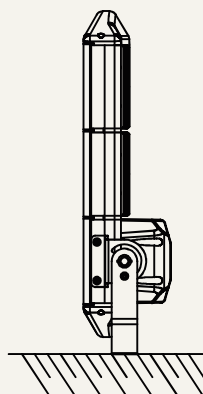
Optional Part

NO.	Installation accessorise	Picture	Material	Weight (Unit:kg)	QTY	Remarks
1	Explosion-proof LED Light Fixture		Aluminum alloy	--	1	
2	Mounting brackets		Q235	0.5	1	100W/200W:849g 300W、400W、500W: 1245g

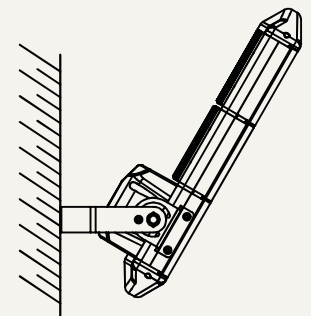
Installation (Unit:mm)



Surface Mounted

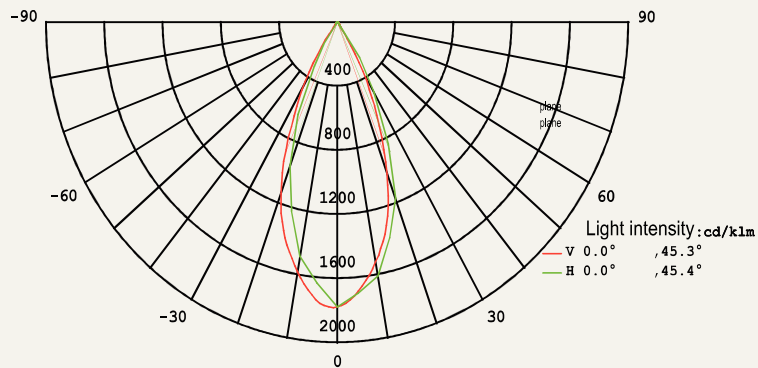
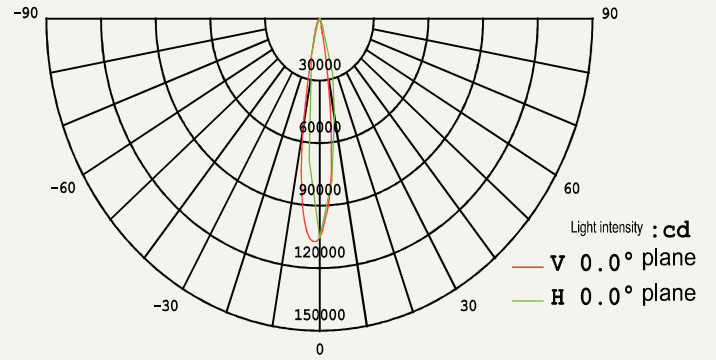
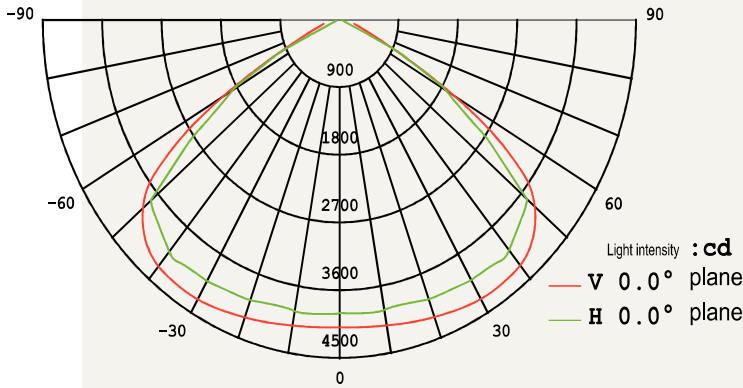


Platform Installation



Wall Installation

Light Distribution Curve



Illumination-120 Degree

Height	Diameter	Eavg
4m	11.6m	84Lux
5m	14.5m	54Lux
6m	17.4m	37Lux
7m	20.3m	27Lux
8m	23.2m	21Lux

Wide

Illumination-40 Degree

Height	Diameter	Eavg
6m	4.4m	478Lux
8m	5.9m	269Lux
10m	7.3m	172Lux
12m	8.8m	120Lux
15m	11m	76Lux

Middle

Illumination-15 Degree

Height	Diameter	Eavg
6m	1.3m	1952Lux
8m	1.7m	1090Lux
10m	2.2m	703Lux
12m	2.6m	488Lux
15m	3.3m	312Lux

Narrow

Floodlight/Projector Light

■ Service

Caution

1.To avoid electric shock:

- ① Be certain electrical power is OFF before and during installation and maintenance.
- ② Luminaire must be supplied by a wiring system with an equipment grounding conductor.

2.To avoid burning hands:

Make sure lens and housing are cool when performing maintenance.

3.To avoid explosion:

- ① Make sure the supply voltage is the same as the luminaire voltage.
- ② Do not install where the marked operating temperatures exceed the ignition temperature of the hazardous.

4.atmosphere:

- ① Do not operate in ambient temperatures above those indicated on the luminaire nameplate.
- ② Use proper supply wiring as specified on the luminaire nameplate. All gasket seals must be clean.
- ③ Before opening, electrical power to the luminaire must be turned off. Keep tightly closed when in operation.

5.Package Check

Check the carton and all the components according to the packing list. make sure the product is in good conditions.

6.Transportation:

Please keep this product from heavy mechanical shock, exposure to strong sunshine, throwing,rolling and stress during transport

7.Storage:

kept in dry,clean and well-ventilated ,non-corrosive medium warehouse,the ambient temperature should be -40°C to 55°C .

8.After-sales service

Installation and maintenance must be according to the instruction.

If customer can not deal with it by themselves ,please contact with sales department.

Contact

Shenzhen SEVA Lighting Co., Ltd

Factory add.: Seva industry park, dushi village, pingtan town, Huiyang District,Guangdong province, China

Web: www.szseva.com Tel: +86-752-3503602 Fax: +86-752-3503606

■ Failure phenomenon

1, The lamp does not work.

Treatment method:

① Check the wiring diagram, whether the wiring is wrong, if, according to the wiring diagram again correct wiring.

② Check whether the wire terminal is loose, if, re-connect tight.

2, The lamp water.

Treatment method: ①the light source cavity or electrical box screw is not tightened not tightened, if, re-tighten.

②Confirm whether the sealing ring is off or not installed when the lamp is installed. If so, re-install the sealing ring or contact our local service personnel.

③The reason may be that the tightening screw at the inlet line is not tightened, if so, re-tighten the tightening screw.

3. Frequently burn out the drive power.

Treatment method: ①the line working voltage is not stable, often more than 290VAC or lower than 90VAC, if, please improve the voltage environment or contact our local service personnel, choose suitable voltage range of driving power.

②The environment temperature is too high, coupled with the temperature rise of the lamp itself, greatly reduce the service life of the power supply, if, improve ventilation and cooling.

4, circuit trip or leakage.

① Please check whether the lead wire of the lamp has no grounding wire, if so, the lead wire will be connected to the ground wire of the lamp power supply.

② Wiring generated fly wire, creepage distance or electrical clearance is not enough, if, re-connect the line.

5. LED flashes

①Please check whether the voltage is not in the use range, if so, the voltage back to the normal range.

② Drive power failure, if, please contact our local service personnel.