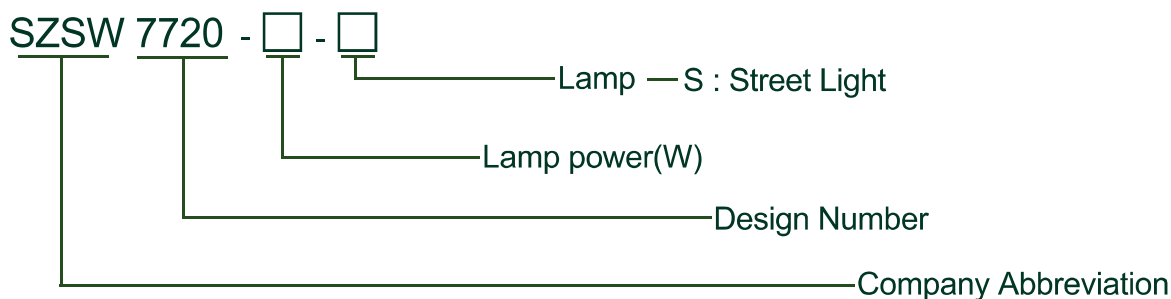




Product Model And Meaning



Selection Table

type	Model	LED Brand	Wattage	Voltage	Luminous Flux (lm)	Size (mm)	Weight (kg)
Street Light	SZSW7720-30	Osram	30W	100~240V AC	3300	263x248x83	2.4
	SZSW7720-42		42W		4620	304x248x83	3.0
	SZSW7720-60		60W		6600	304x248x83	3.0
	SZSW7720-80		80W		8800	384x248x83	3.8
	SZSW7720-100		100W		11000	384x248x83	3.8
	SZSW7720-120		120W		13200	465x248x83	4.5
	SZSW7720-150		150W		16500	545x248x83	5.2
	SZSW7720-180		180W		19800	626x248x83	5.9
	SZSW7720-180				23100	706x248x83	6.6

Note

This product should be installed by a fully certified electrician in accordance with local building and electrical codes. Electrician should be familiar operation of the product and the hazards involved.

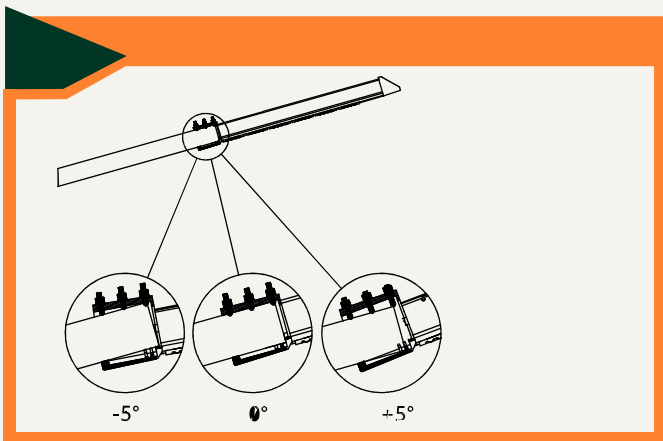
Due to risk of electric shock, ensure that the main power source and circuit breakers are switched off before performing any installation or wiring procedures.

Product warranty: 5 years.

■ Technical Parameters

NO	Parameter	Unit	SZSW7720								
1	Rated Voltage	V/AC	220								
2	Rated Frequency	Hz	50								
3	LED Light Source	Rated Power	W	30W	42W	60W	80W/100W	120W	150W	180W	200/210W
		Rated Current	A	0.14	0.2	0.29	0.4/0.44	0.55	0.69	0.83	0.93/0.96
		Luminous Flux	lm	3300	4620	6600	8800/11000	13060	16350	19620	22000/22890
		Average Service Life	h	≥ 100000							
4	Demension	mm	304×248×83	384.5×248×83	465×248×83	545.5×336×83	626×336×83	706×248×83			
5	Weight	kg	3	3.8	4.5	5.2	5.9	6.6			
6	Cable Entry	mm	Φ 8-Φ 12								
7	Protection Class		IP65								
8	Anti-corrosion Grade		WF2								
9	Power Factor		≥ 0.95								
10	Height Ratio		2.5								

■ Product Detail



LED lamp head adjustment

The lamp head can be adjusted to -5°, 0°, 5°.

Independent wiring compartment

The lamp has a separate waterproof wiring cavity, which can directly connect the lead-in wire to directly connect the lead-in wire to the outside of the lamp to ensure the wiring is safe and reliable.

Reliable heat dissipation

The back of the lamp body has a larger area than the conventional lamp fins, which can achieve the effect of cooling and cooling more quickly.



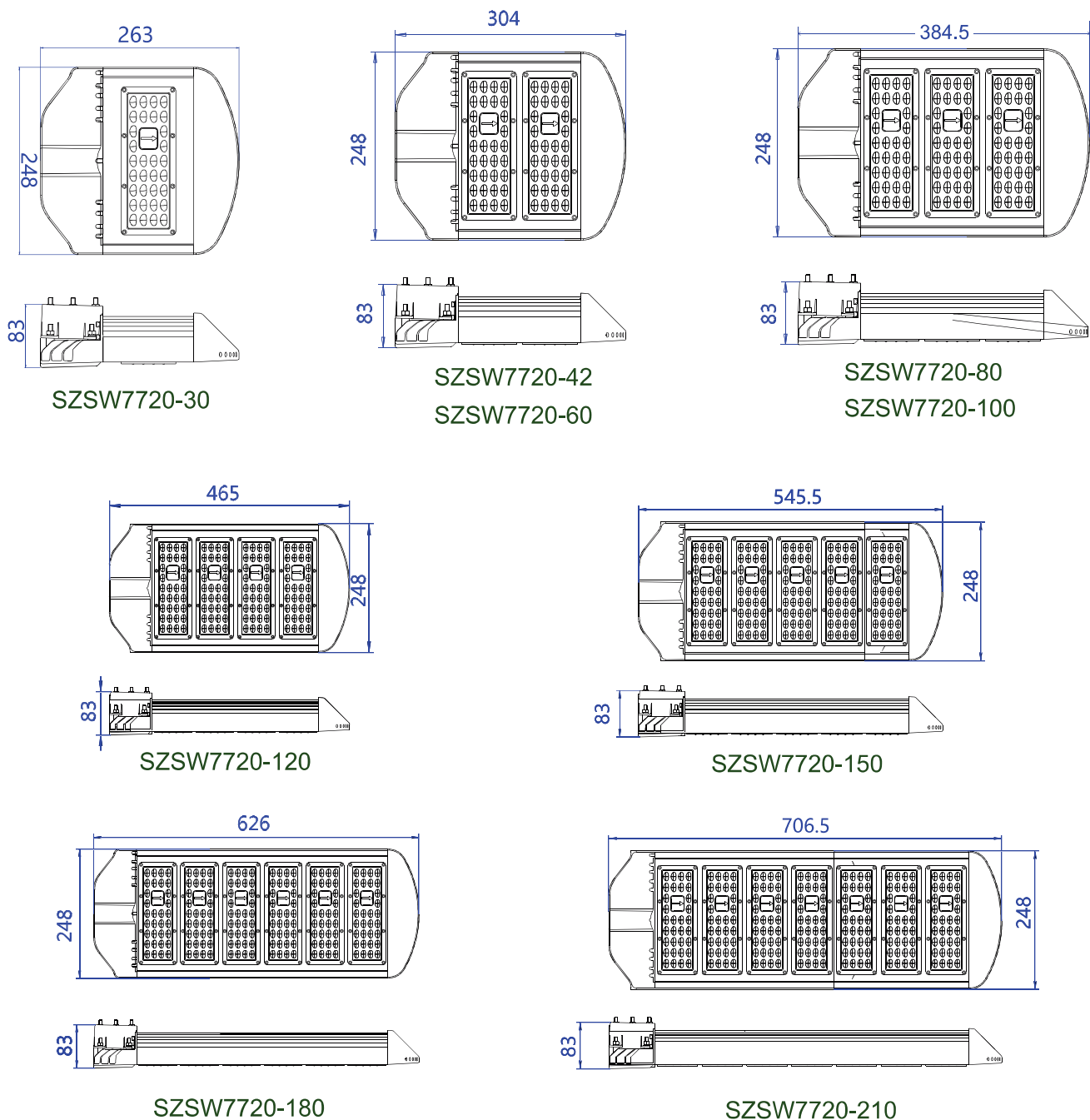
■ Characteristics

The main shell is made of imported high-quality aluminum, extruded and structurally designed to ensure long-term safe work in various places.

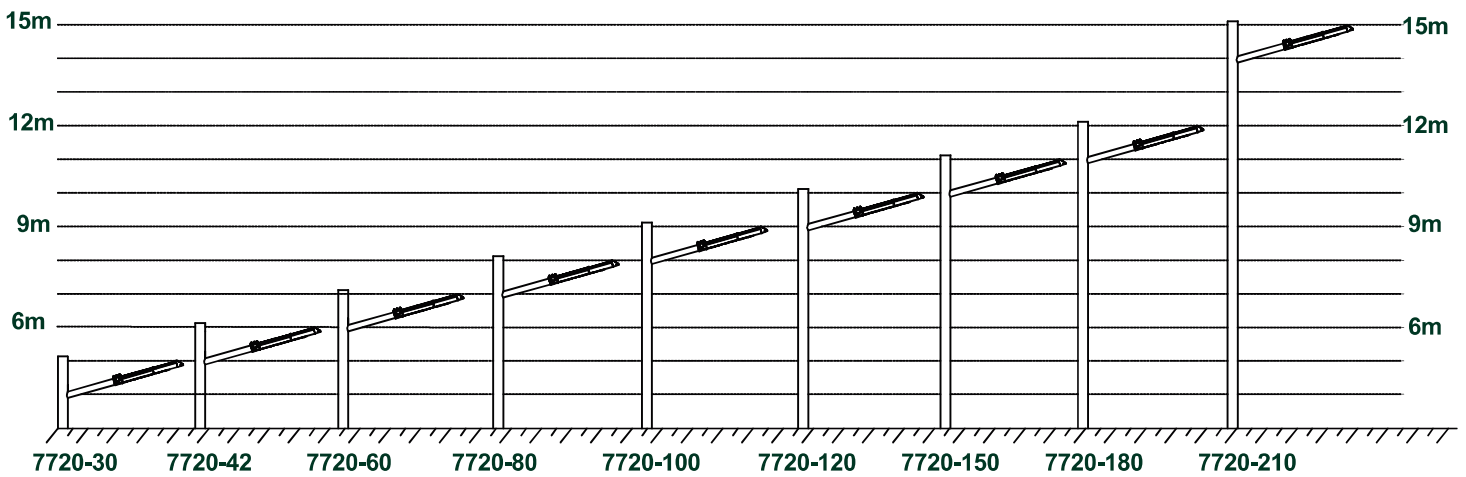
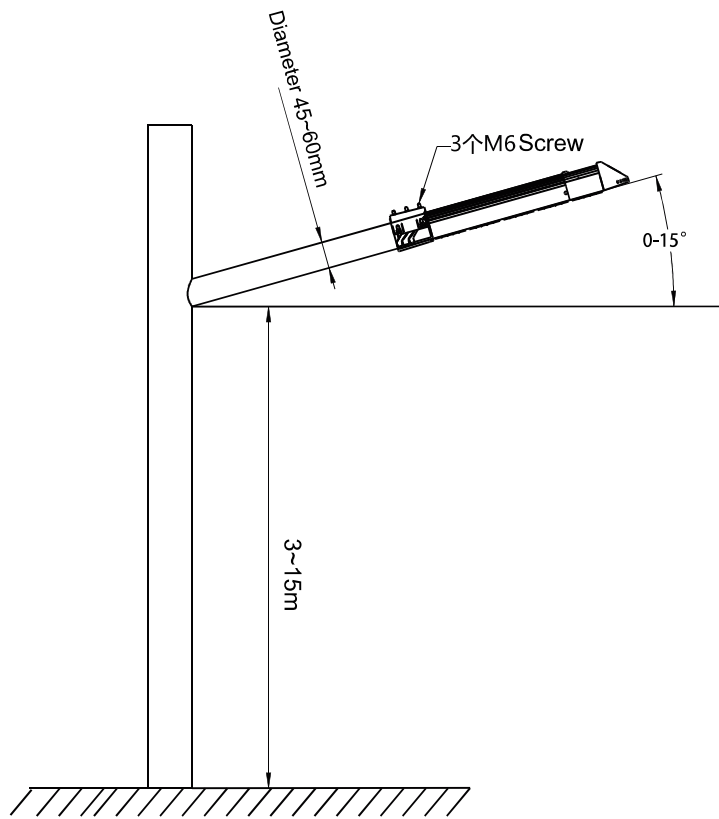
Each LED lighting module adopts independent waterproof structure, which reduces the sealing area of a single waterproof unit, prevents deformation of the structure by heat, causes poor waterproofing, and improves waterproof reliability.

Each material is made of imported optical grade PC material, and the ratio of adding a small amount of anti-UV additive is reduced. The agent ensures that the lens of the lamp will not age and yellow after long-term wind and sun exposure, resulting in a decrease in the brightness of the lamp.

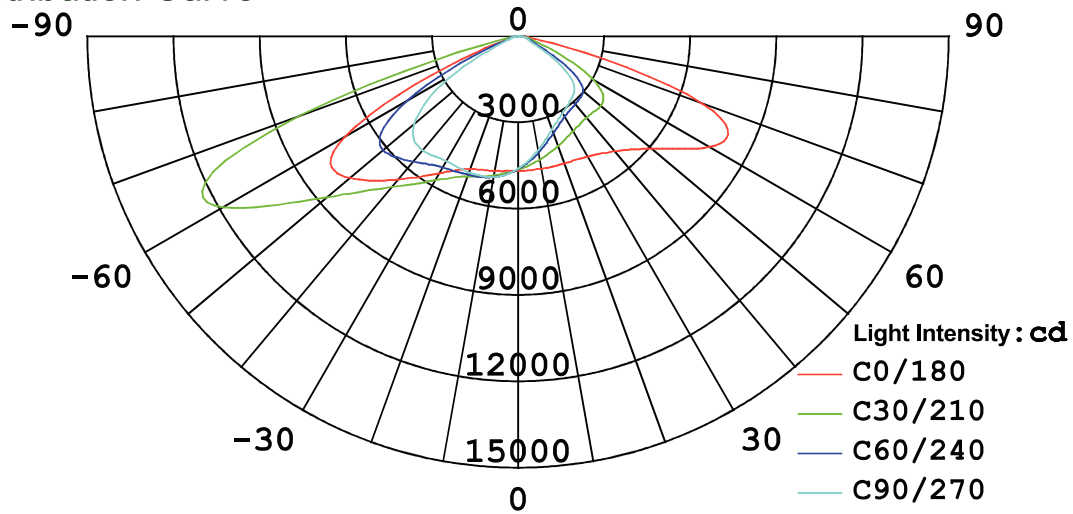
■ Demension(Unit:mm)



■ Installation



■ Light Distribution Curve



■ Caution

■ After Sales Service