

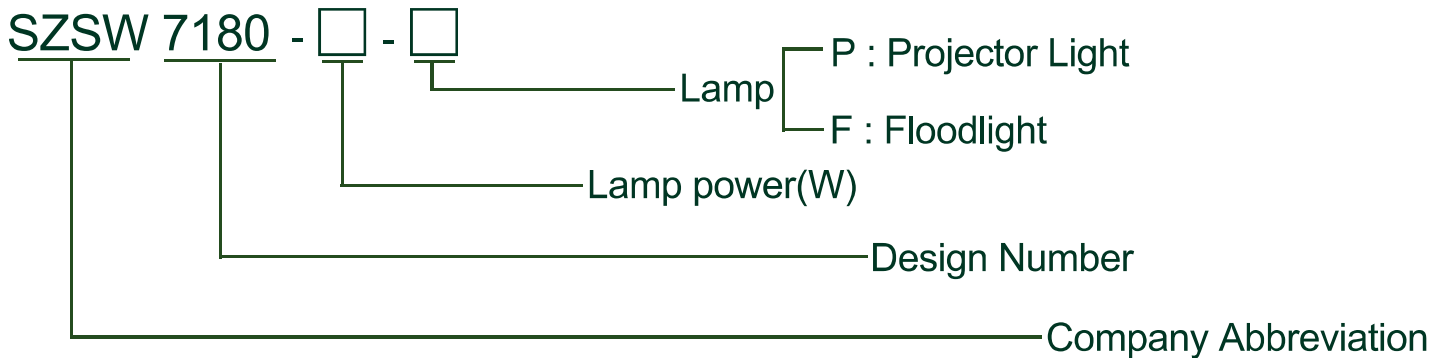


Projectoe Light/Floodlight

### ■ Application

It is suitable for floodlight or illumination in workshop, working platform, warehouse, equipment area, passageway and working area.

### ■ Product Model and Meaning



### ■ Selection Table

Model	Power	Beam Angle	Size	Weight
SZSW7180-150F	150W	113°	280×390×83(mm)	6.1kg
SZSW7180-180F	180W			
SZSW7180-200F	200W			
SZSW7180-150P	150W	20°		
SZSW7180-180P	180W			
SZSW7180-200P	200W			

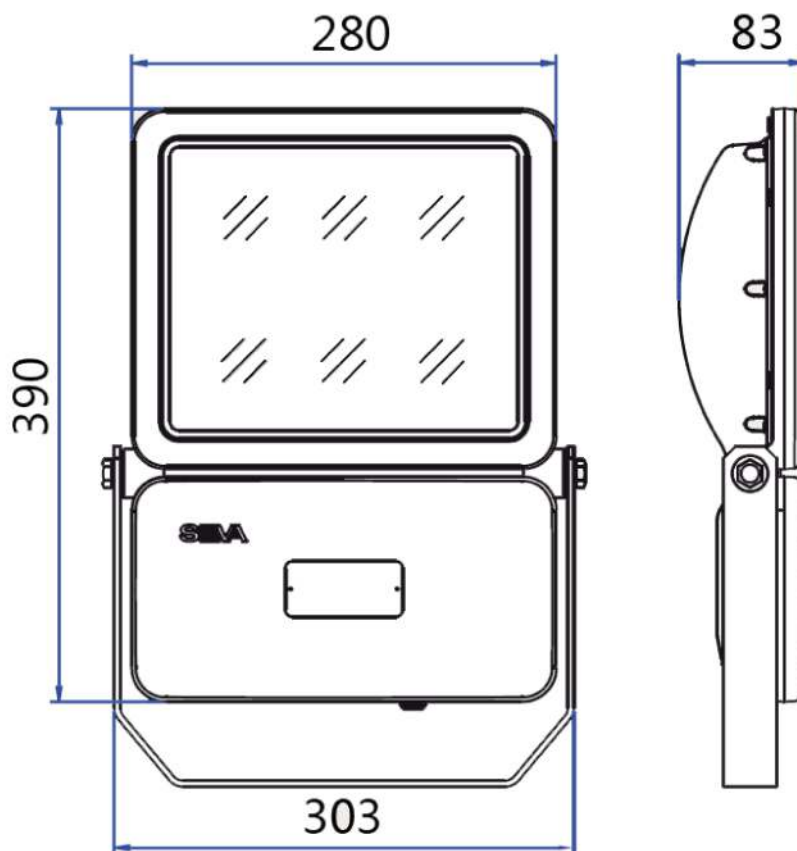
## ■ Technical Parameters

NO	Parameter		Unit	Value	
1	Input Power	Rated Voltage	V (AC)	90 ~ 305	
2		Rated Frequency	Hz	50,60	
3	SZSW-7180-150 (F/P)	150W	Luminous Flux	lm	18000
			Service Life	h	100000
4	SZSW-7180-180 (F/P)	180W	Luminous Flux	lm	21600
			Service Life	h	100000
5	SZSW-7180-200 (F/P)	200W	Luminous Flux	lm	24000
			Service Life	h	100000
9	Beam Angle		°	113 (F) 20(P)	
10	Dimensions		mm	280×390×83	
11	Weight		kg	6.1	
12	Cable Entries		mm	M20X1.5 cable gland	
13	Terminal		mm	Φ8~10,3X1.5~2.5mm <sup>2</sup> (L+N+PE)	
14	Executive Standard		IEC 60598-1:2015 IEC 60598-2-1:1989 IEC 62471:2008	EN 60598-1:2015, EN60598-2-1:1989 EN 62471:2008	
15	Material		Shell: Copper-free aluminium, powder coated surface (RAL1021) Thughened Glass: stands 4J impact Exposed Fastener: Stainless Steel (SUS304)		
16	Color Temperature		Normal color temperature 5700K, if you need other color temperature can be selected		
11	Insulation Class		I		
12	Ingress Protection		IP66		
13	Ambient Temperature		-40℃ ~ +50℃		

## ■ Features and Benefits

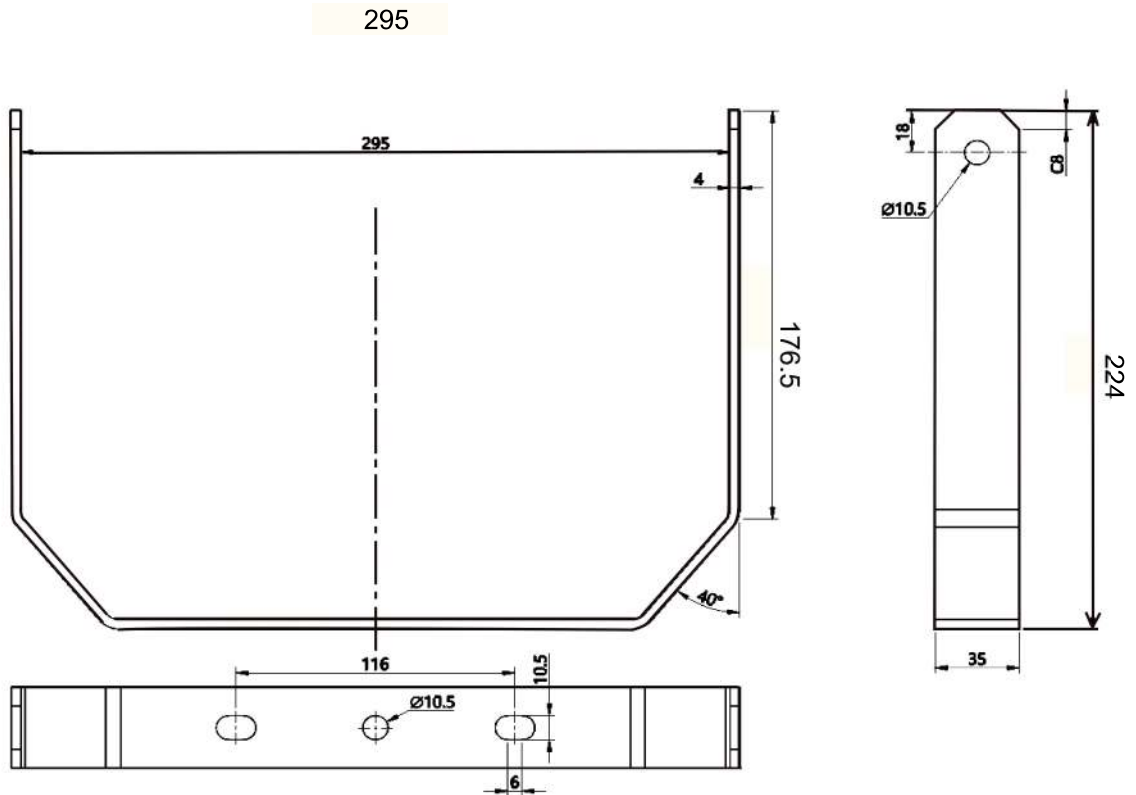
- Shell design: aluminum alloy casting shell, strong, strong, high impact strength, long service life.
- Reliable heat dissipation: the area of heat dissipation fin behind the lamp body is larger than that of conventional lamp, which can achieve heat dissipation and cooling effect more quickly.
- Integral division cavity: the use of integral division cavity design, to ensure the integrity and beauty of the product, that is, to meet the convenience of the installation of integrated lamps
- Independent wiring cavity: built-in independent wiring cavity, to avoid the safety risks caused by external wiring of lamps and lanterns.
- High light efficiency, imported LED (Cree or osram brand), life of more than 100,000 hours.
- Variety of installation methods can be adopted, including side wall, ceiling suction and platform installation. Simply fix the mounting bracket with bolts.

## ■ Dimensions (Unit:mm)





Floodlight/Projector Light

■ Bracket (Unit:mm)

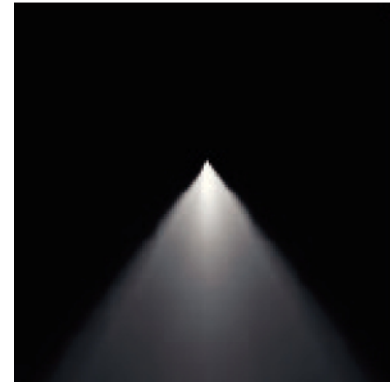
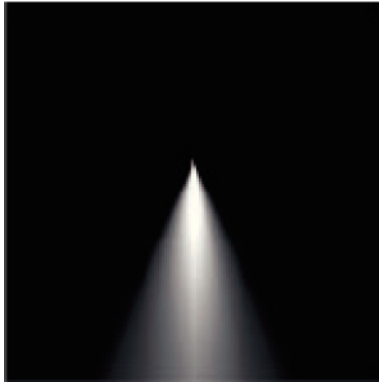
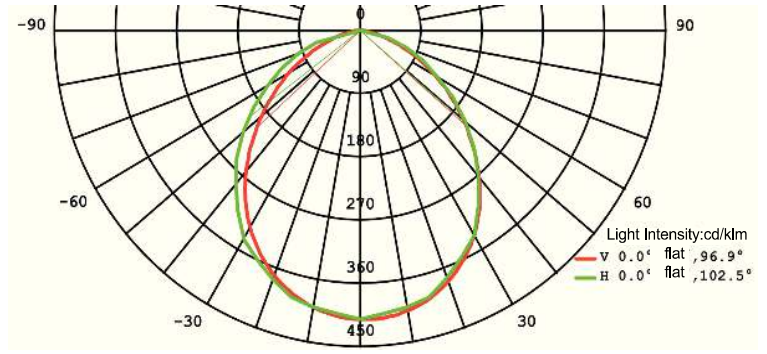
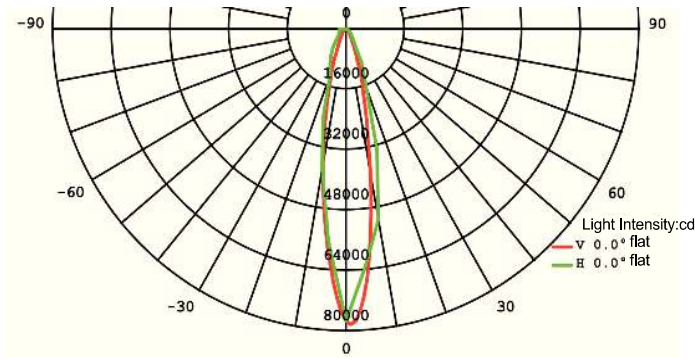


U-Bracket

■ Optional Part(Unit:mm)

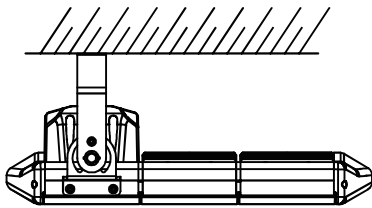
NO.	Installation accessorise	Picture	Material	Weight (Unit:kg)	QTY	Remarks
1	Explosion-proof LED Light Fixture		Aluminum alloy	--	1	
2	Mounting brackets		Q235	0.5	1	

■ Light Distribution Curve

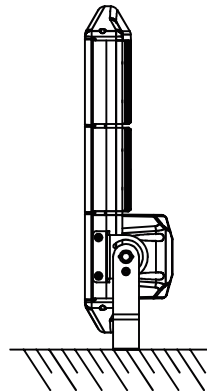


Floodlight/Projector Light

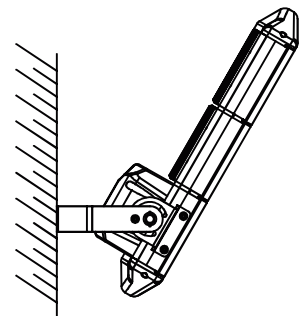
■ Installation (Unit:mm)



Surface Mounted



Platform Installation



Wall Installation

Floodlight/Projector Light

## Failure phenomenon

1, The lamp does not work.

Treatment method:

- ① Check the wiring diagram, whether the wiring is wrong, if, according to the wiring diagram again correct wiring.
- ② Check whether the wire terminal is loose, if, re-connect tight.

2, The lamp water.

Treatment method: ①the light source cavity or electrical box screw is not tightened not tightened, if, re-tighten.

- ②Confirm whether the sealing ring is off or not installed when the lamp is installed. If so, re-install the sealing ring or contact our local service personnel.
- ③The reason may be that the tightening screw at the inlet line is not tightened, if so, re-tighten the tightening screw.

3. Frequently burn out the drive power.

Treatment method: ①the line working voltage is not stable, often more than 290VAC or lower than 90VAC, if, please improve the voltage environment or contact our local service personnel, choose suitable voltage range of driving power.

- ②The environment temperature is too high, coupled with the temperature rise of the lamp itself, greatly reduce the service life of the power supply, if, improve ventilation and cooling.

4, circuit trip or leakage.

- ① Please check whether the lead wire of the lamp has no grounding wire, if so, the lead wire will be connected to the ground wire of the lamp power supply.
- ② Wiring generated fly wire, creepage distance or electrical clearance is not enough, if, re-connect the line.

5. LED flashes

- ①Please check whether the voltage is not in the use range, if so, the voltage back to the normal range.
- ② Drive power failure, if, please contact our local service personnel.

## ■ Service

### Caution

#### 1.To avoid electric shock:

- ① Be certain electrical power is OFF before and during installation and maintenance.
- ② Luminaire must be supplied by a wiring system with an equipment grounding conductor.

#### 2.To avoid burning hands:

Make sure lens and housing are cool when performing maintenance.

#### 3.To avoid explosion:

- ① Make sure the supply voltage is the same as the luminaire voltage.
- ② Do not install where the marked operating temperatures exceed the ignition temperature of the hazardous.

#### 4.atmosphere:

- ① Do not operate in ambient temperatures above those indicated on the luminaire nameplate.
- ② Use proper supply wiring as specified on the luminaire nameplate. All gasket seals must be clean.
- ③ Before opening, electrical power to the luminaire must be turned off. Keep tightly closed when in operation.

#### 5.Package Check

Check the carton and all the components according to the packing list. make sure the product is in good conditions.

#### 6.Transportation:

Please keep this product from heavy mechanical shock, exposure to strong sunshine, throwing,rolling and stress during transport

#### 7.Storage:

kept in dry,clean and well-ventilated ,non-corrosive medium warehouse,the ambient temperature should be  $-40^{\circ}\text{C}$  to  $55^{\circ}\text{C}$ .

#### 8.After-sales service

Installation and maintenance must be according to the instruction.

If customer can not deal with it by themselves ,please contact with sales department.

### Contact

Shenzhen SEVA Lighting Co., Ltd

---

Factory add.: Seva industry park, dushi village, pingtan town, Huiyang District,Guangdong province, China

Web: [www.szseva.com](http://www.szseva.com) Tel: +86-752-3503602 Fax: +86-752-3503606