



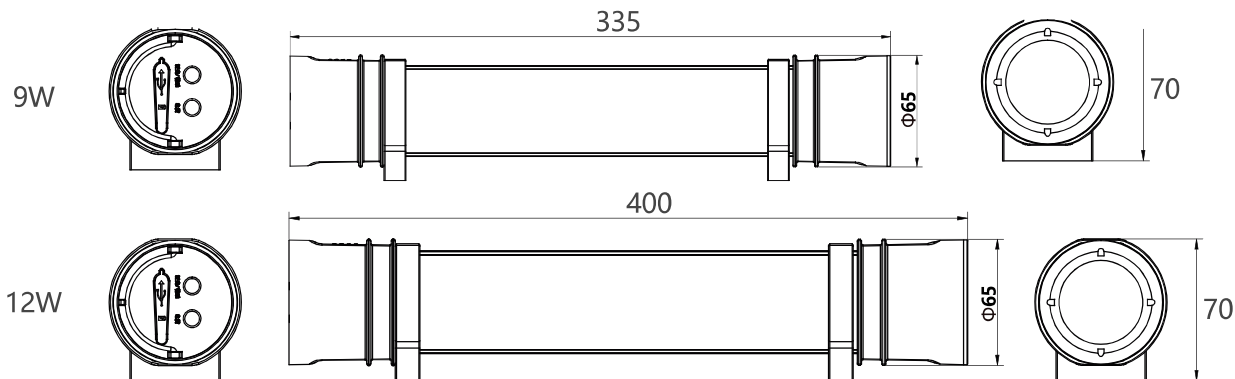
## ■ Features

- ☉ Suitable for outdoor emergency lighting, search and rescue, security, accident site, work site inspection, maintenance, vehicle backup lighting, emergency lighting, etc..

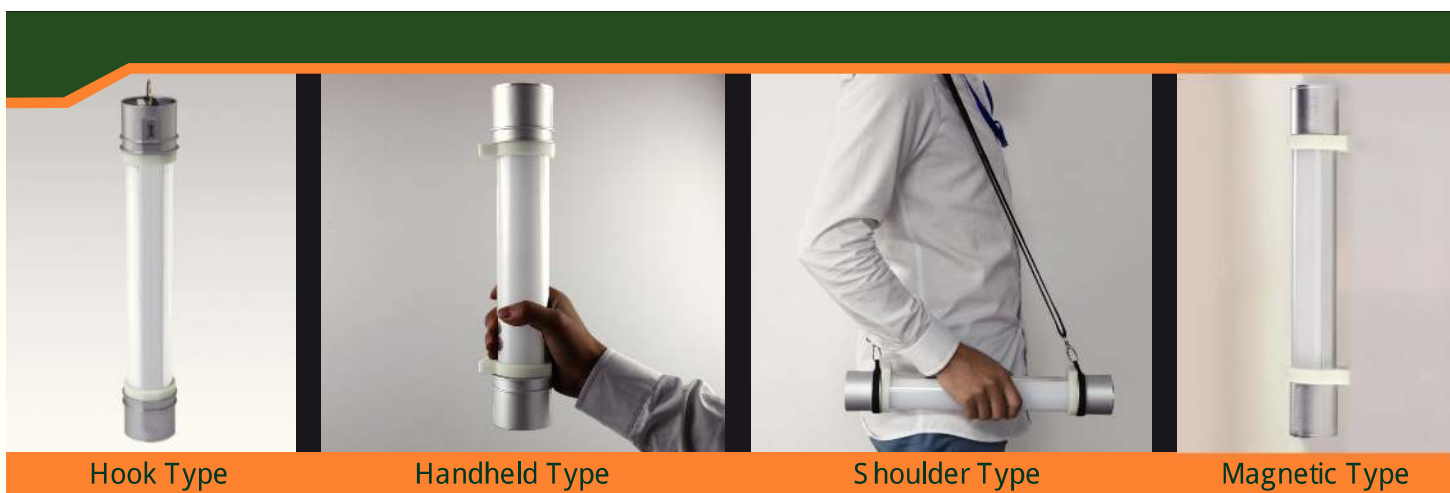
## ■ Technical Parameters

No	Table Of Basic Product Parameters	
1	Product Number	SZSW2185
2	Battery Voltage	14.8V/22.2V
3	Charging Voltage	AC100~240V,50-60Hz
4	Rated Capacity	2200mAh
5	Duration	Working Light
		Strong Light
		9W(Floodlight ,Glare)
12W((Floodlight ,Glare))		
16h	8h	
6	Color Temperature	6500K
7	CRI	>80
8	Beam Angle	40°/130°
9	Charging Time	≤ 3h
10	IP/IK Level	IP65/IK08
11	Ambient Temperature	-20℃~45℃
12	Enclosure Material	Aluminum
13	Cycle Life	~1000 Cycles
14	LED Package	Cree
15	Driver	SEVA
16	Product Size (mm)	φ65*335 (9W)    φ65*400 (12W)
17	Unit Weight	840g (9W)    980g (12W)

### Product Size Chart (Unit:mm)



### Characteristics

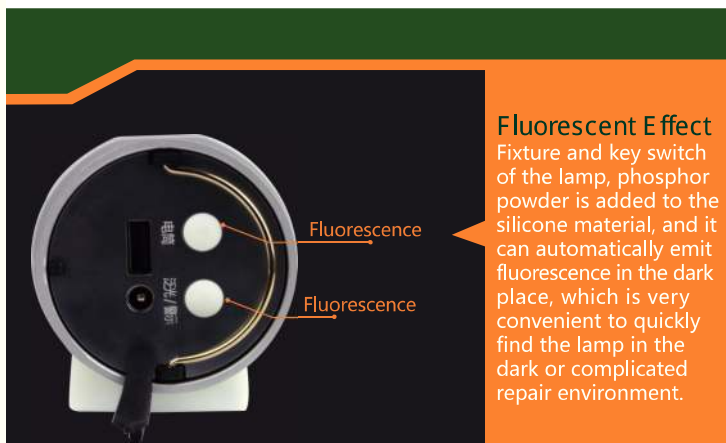


Hook Type

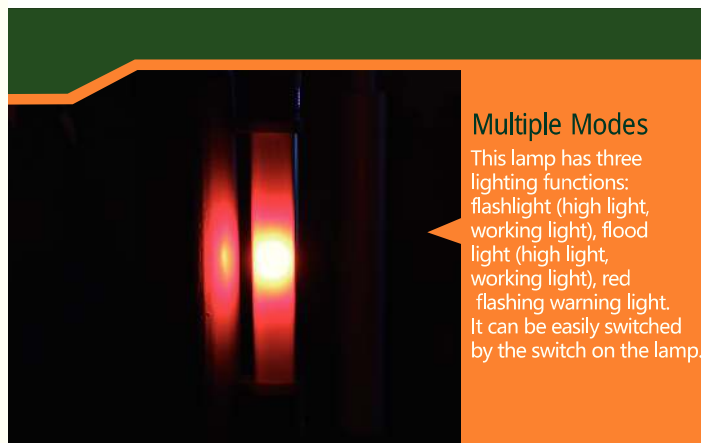
Handheld Type

Shoulder Type

Magnetic Type



**Fluorescent Effect**  
 Fixture and key switch of the lamp, phosphor powder is added to the silicone material, and it can automatically emit fluorescence in the dark place, which is very convenient to quickly find the lamp in the dark or complicated repair environment.



**Multiple Modes**  
 This lamp has three lighting functions: flashlight (high light, working light), flood light (high light, working light), red flashing warning light. It can be easily switched by the switch on the lamp.



**Power Display**  
 A green light: 25% power  
 Two green lights: 50% power  
 Three green lights: 75% power  
 Four green lights: 100% power

### 1、Other Characteristics

- ◎ Adopt high-efficiency, imported CREE LED, with a lifetime of more than 100,000 hours.
- ◎ High-energy memory-free lithium battery with low self-discharge rate. More than 90% of electricity.
- ◎ The radiator is made of aviation aluminum with high thermal conductivity. The surface is deeply anodized. Periodic use does not deteriorate.
- ◎ The floodlight is made of imported PC material, and the light-emitting powder is added to make the light emission angle larger than 180 degrees, soft light without glare.