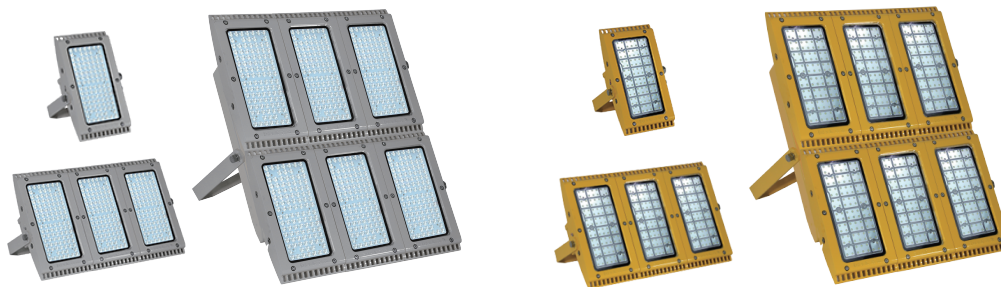


SZSW7350 LED Explosion-proof Light Fixture




F:Floodlight
P:Spotlight

Features

- Applicable to Zone1&2 and Zone21&22 hazardous environment.
- Applicable to Zone 21&22 districts of the flammable dust environment.
- Suitable for IIA, IIB, IIC explosive gas environment.
- Applicable to the temperature group of T1~T6.

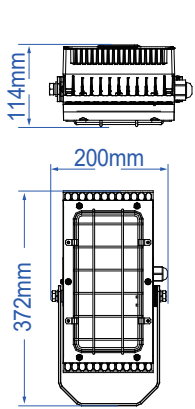
Technical Parameters



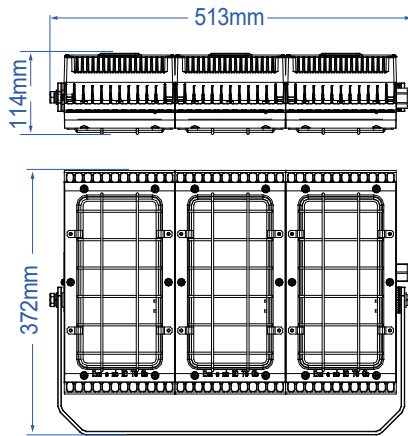
No		Table Of Basic Product Parameters					
1	Atex Standard	 II 2 G Ex d e mb op is IIC T6 Gb II 2 D Ex op is tb IIIC T80 C Db					
2	IECEX Standard	Ex d e mb op is IIC T6 Gb Ex op is tb IIIC T80 C Db					
3	Rated Voltage(AC)	AC90~240V					
4	Frequency	50/60Hz					
5	Product Number(F/P)	SZSW7350-60	SZSW7350-120	SZSW7350-180	SZSW7350-240	SZSW7350-300	SZSW7350-360
6	Power	60W	120W	180W	240W	300W	360W
7	Luminous Flux	6600lm	13200lm	19800lm	26400lm	33000lm	39600lm
8	Color Temperature	2700-6500K					
9	PF	0.9					
10	Ra	>70					
11	Beam Angle	20°/120°					
12	Lighting Effect	110-130 lm/W					
13	IP/IK Level	IP66/IK10					
14	Ambient Temperature	-20℃~45℃					
15	Enclosure Material	Die-casting Aluminum					
16	Warranty	5 years					
17	LED Source	Osram/Philips					
18	Driver	SEVA/Meanwell/Moso/SoSen					
19	Weight	4.1kg	8.2kg	12.3kg	16.4kg	20.5kg	24.6kg

SZSW7350 LED Explosion-proof Light Fixture

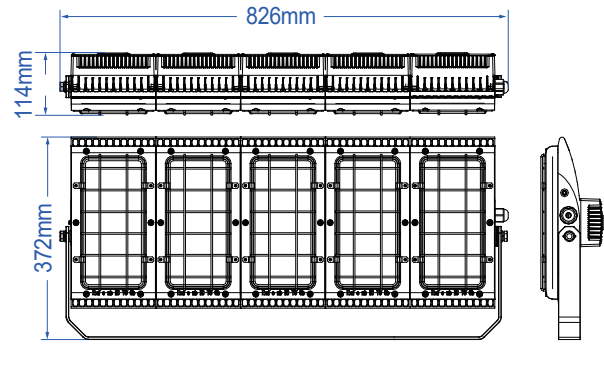
Dimension (Unit:mm)



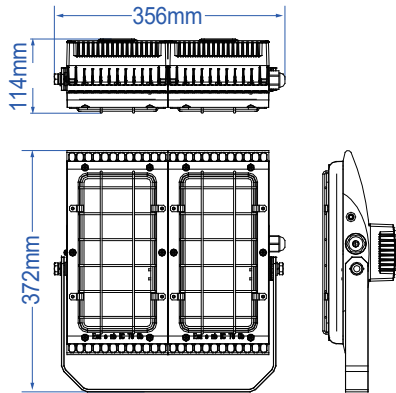
60W



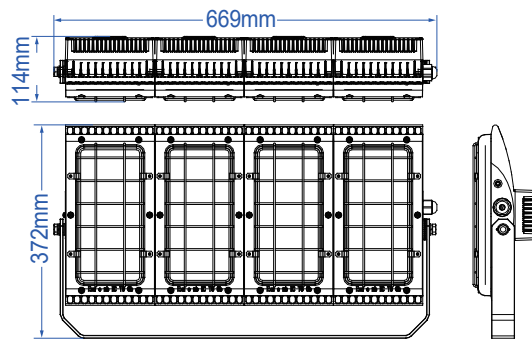
180W



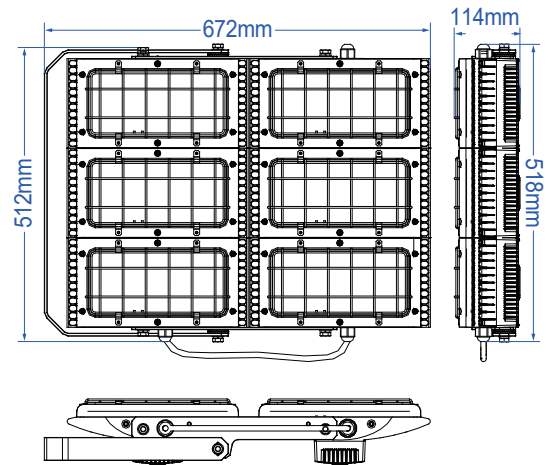
300W



120W



240W



360W

Photometric Data

